

MPS Catalog Number

**H2 90 10 031 MX SS 016**

Date 7/14/2014

\_\_\_\_\_ End Fittings \_\_\_\_\_  
Tower End Fitting: Gain / 12 deg / Steel

\_\_\_\_\_ Line End Fitting \_\_\_\_\_  
Line End Fitting 2 HL Drop Tongue / Galv. Ductile Iron

\_\_\_\_\_ Material \_\_\_\_\_  
Corona Ring (Line) None

Corona Rings are recommended for applications of 230 kV and above

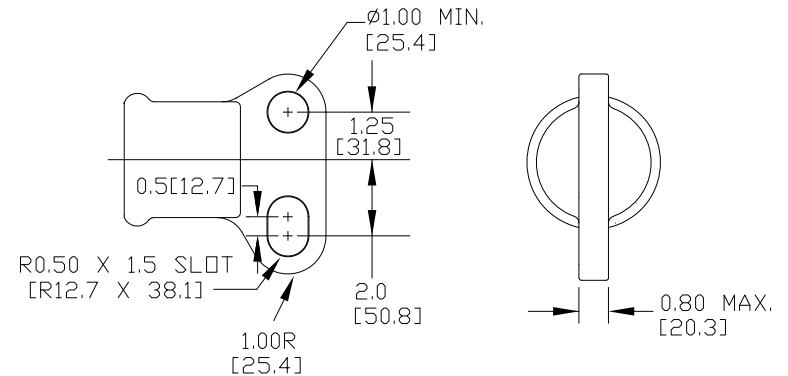
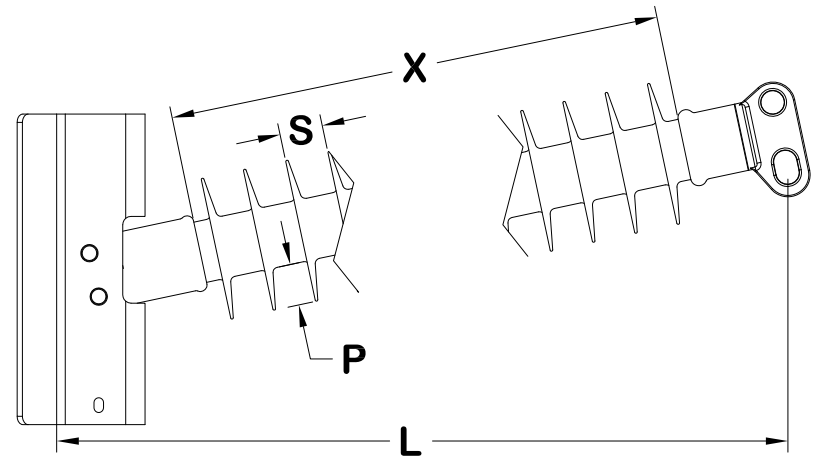
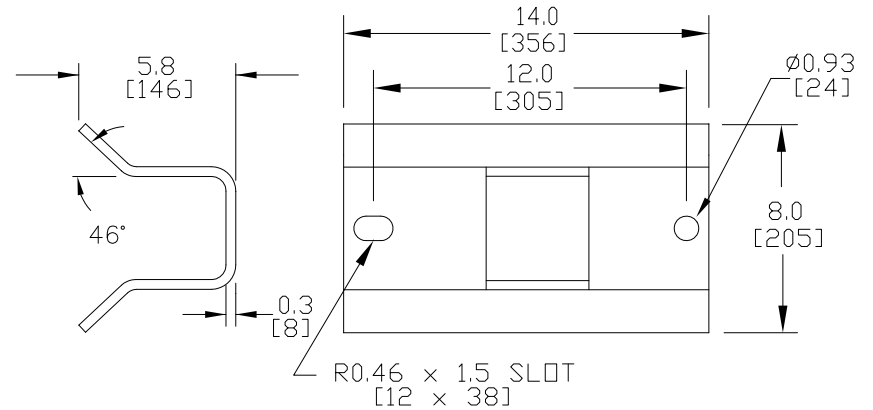
Mounting Angle 12  
Number of Sheds 16  
Rod Diameter 2.5 in  
Weight Estimate 56.1 lbs 25 kg

\_\_\_\_\_ Dimensional Values \_\_\_\_\_  
Section Length (L): 41.5 in 1055 mm  
Rubber Length (X): 31 in  
Shed spacing (S): 2.0 in 50 mm  
Shed Projection (P): 1.6 in 41 mm  
Dry Arc Distance 33.4 in 848 mm  
Leakage Distance 85.0 in 2158 mm

\_\_\_\_\_ Electricals Values \_\_\_\_\_  
60 Hz dry Flashover 325 kV Min. Withstand 305 kV  
60 Hz Wet Flashover 300 kV Min. Withstand 233 kV  
Pos. Critical Impulse Flashover 557 kV Min. Withstand 498 kV  
Neg. Critical Impulse Flashover 649 kV Min. Withstand 534 kV

\_\_\_\_\_ Mechanical Values \_\_\_\_\_  
Max. Design Cant. Load (MDCL) 2,338 lbs 10.4 kN  
Specified Cant. Load (SCL) 4,676 lbs 20.8 kN  
Specified Tensile Load (STL) 15,000 lbs 66.7 kN

This drawing contains confidential information that is the property of MacLean Power, L.L.C. ("MacLean"). Use of MacLean's confidential information without MacLean's express written consent is strictly prohibited and may expose you to legal liability. If you believe that you received this material in error, please destroy it or return it to "MacLean Power, L.L.C., 7801 Park Place Rd., York, South Carolina 29745, USA."



Dimension: inches [millimeters]

NOTE: Drawing not actual depiction of insulator appearance

Silicone Rubber Sheath & Sheds. Complies with applicable ANSI and IEC standards.